

PSG212-FD



Fanless 12.1" Industrial Panel PC with Intel® N97



FEATURES

- Intel® N97
- 12.1" 800x600 / 1024x768 LCD display
- Projected capacitive multi-touch control
- Flat frontal panel, IP66-compliant
- Dual 2.5 Gigabit Ethernet
- Triple display support
- Wide DC power range 12-36 VDC
- Wide AC power range 85-264 VAC



SYSTEM

CPU	Intel® N97, QC, 3.6 GHz
CHIPSET	Intel® Alder Lake
GRAPHICS	Intel® UHD Graphics
MEMORY TYPE	1x DDR5 SO-DIMM 4800 MHz max 16 GB
AUDIO	Realtek® ALC897
ETHERNET	2x Intel® I225V 2.5 GbE

DISPLAY

TFT TYPE	12.1" TFT LCD
MAX RESOLUTION	800x600 or 1024x768
LUMINANCE	450 cd/m ² or 500 cd/m ²
CONTRAST RATIO	700 : 1
VIEW ANGLE	80° / 80° / 65° / 75° or 80° / 80° / 80° / 80° (L/R/U/D)
MAX COLORS	16.7 Millions
TOUCH TYPE	Projected capacitive multi-touch control

STORAGE

DEVICE	1x 2.5" SSD / HDD
--------	-------------------

EXTERNAL I/O

SERIAL PORTS	1x COM (RS-232/422/485) 1x COM ((RS-232/422/485) optional) 2x COM (RS-232) optional
USB PORTS	2x USB 3.2, 2x USB 2.0
AUDIO	1x Line-Out
VIDEO OUTPUT	2x HDMI (4096x2160)
LAN	2x RJ45 Ethernet ports
PS2	N/A
SUPPLY CONNECTION	24 VDC terminal block 110-230 VAC standard VDE connector

OS SUPPORT

MICROSOFT®	Windows 10 Enterprise LTSC 2019 (64 bit)
MICROSOFT®	Windows 10 Enterprise LTSC 2021 (64 bit)
MICROSOFT®	Windows 10 PRO (64 bit)
MICROSOFT®	Windows 11 Enterprise LTSC 2024 (64 bit)
MICROSOFT®	Windows 11 PRO (64 bit)
LINUX	Ubuntu 24.04.1 LTS or newer and further distros

POWER SYSTEM

RATED INPUT VOLTAGE	24 VDC 110-230 VAC
INPUT VOLTAGE LIMIT	12-36 VDC 85-264 VAC
POWER CONSUMPTION	35 W

MECHANICAL

DIMENSION (WxHxD)	335x270x95 mm (13.2x10.6x3.7 in)
WEIGHT	4.5 Kg
FRONT PANEL	Aluminum frontal frame with 3 mm temperate glass
CHASSIS	SECC steel (galvanized)
MOUNTING TYPE	Panel mounting with retaining clips

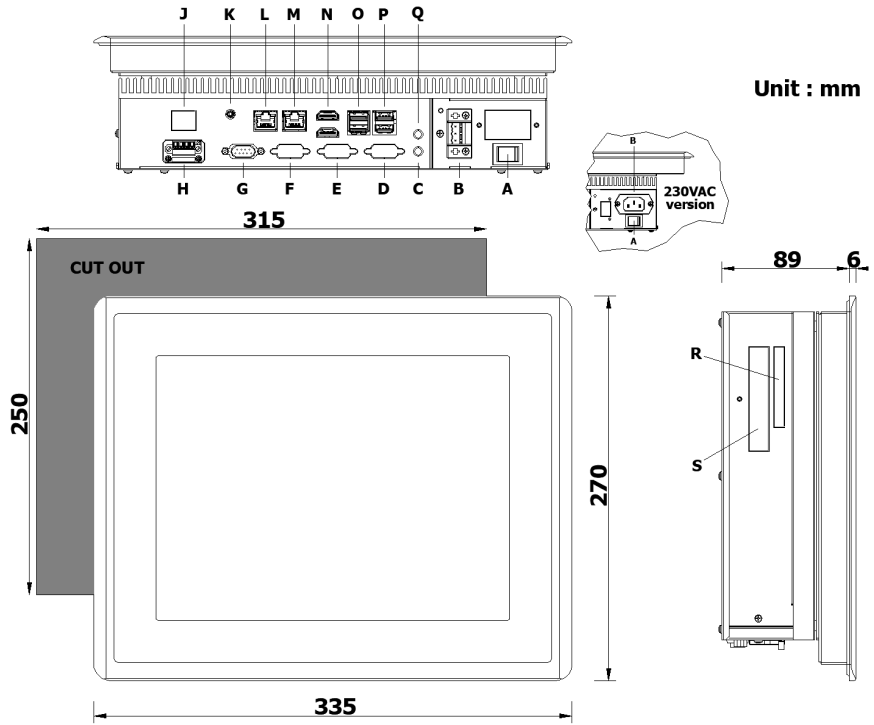
ENVIRONMENT

OPERATING TEMPERATURE	0 ~ 50 °C (32 ~ 122 °F)
STORAGE TEMPERATURE	-20 ~ 60 °C (-4 ~ 140 °F)
OPERATING HUMIDITY	10 ~ 95 % @ 40°C (non-condensing)
FRONT PANEL PROTECTION	IP66
EMC	CE
SAFETY	CE

Fanless 12.1" Industrial Panel PC with Intel® N97

Dimensions - I/O View :

- A - Power switch
- B - Supply connector
- C - Wi-fi antenna (optional)
- D - RS-232 (COM 4 - optional)
- E - RS-232 (COM 3 - optional)
- F - RS-232/422/485 (COM 2 - optional)
- G - RS-232/422/485 (COM 1)
- H - Remote power On/Off Remote reset
- J - Gigabit LAN 3 (optional)
- K - Audio output
- L - 2.5 Gigabit LAN 2
- M - 2.5 Gigabit LAN 1
- N - 2x HDMI
- O - 2x USB 3.2
- P - 2x USB 2.0
- Q - Wi-fi antenna (optional)
- R - Removable CFast (optional)
- S - Removable SSD (optional)
- T - 1x USB 2.0



AVAILABLE OPTIONS		CONFIGURATION NUMBER						
		1	2	3	4	5	6	7
WiFi Lan	Wi-Fi Lan ¹	●		●				
LAN	1x RJ45 Gigabit Lan MiniPCI-Express card		●	●				
Notes								
¹ 1 mt Wi-Fi antenna cable extension available on request								

FRONTAL PANEL OPTIONAL

Frontal panel graphic customization area for logo¹



¹To go on with the frontal panel customization, we need the vectorial logo and the logo spot on the panel.
Later we will send you a preview to be confirmed.

Unit : mm

