

# PSR112-FD



Fanless 12.1" Industrial Panel PC with Intel® N97



## FEATURES

- Intel® N97
- 12.1" 800x600 / 1024x768 LCD display
- Resistive touch
- Front panel, IP66-compliant
- Dual Gigabit Ethernet
- Triple display support
- Wide DC power range 9-36 VDC
- Wide AC power range 85-264 VAC



## SYSTEM

CPU	Intel® N97, QC, 3.6 GHz
CHIPSET	Intel® Alder Lake
GRAPHICS	Intel® UHD Graphics
MEMORY TYPE	1x DDR5 SO-DIMM 4800 MHz max 32 GB
AUDIO	High Definition Audio
ETHERNET	2x Intel® I210AT 10/100/1000 Mbps

## DISPLAY

TFT TYPE	12.1" TFT LCD
MAX RESOLUTION	800x600 or 1024x768
LUMINANCE	450 cd/m <sup>2</sup> or 500 cd/m <sup>2</sup>
CONTRAST RATIO	700 : 1
VIEW ANGLE	80° / 80° / 65° / 75° or 80° / 80° / 80° / 80° (L/R/U/D)
MAX COLORS	16.7 Millions
TOUCH TYPE	Five wire resistive

## STORAGE

DEVICE	1x 2.5" SSD / HDD
--------	-------------------

## EXTERNAL I/O

SERIAL PORTS	1x COM (RS-232/422/485) 3x COM (RS-232) optional
USB PORTS	3x USB 3.2, 1x USB 2.0, 1x USB 2.0 on front panel
AUDIO	N/A
VIDEO OUTPUT	1x HDMI (4096x2160), 1x DisplayPort (4096x2160)
LAN	2x RJ45 Ethernet ports
PS2	N/A
SUPPLY CONNECTION	24 VDC terminal block 110-230 VAC standard VDE connector

## OS SUPPORT

MICROSOFT®	Windows 10 Enterprise LTSC 2019 (64 bit)
MICROSOFT®	Windows 10 Enterprise LTSC 2021 (64 bit)
MICROSOFT®	Windows 10 PRO (64 bit)
MICROSOFT®	Windows 11 Enterprise LTSC 2024 (64 bit)
MICROSOFT®	Windows 11 PRO (64 bit)
LINUX	Ubuntu 24.04.1 LTS or newer and further distros

## POWER SYSTEM

RATED INPUT VOLTAGE	24 VDC 110-230 VAC
INPUT VOLTAGE LIMIT	9-36 VDC 85-264 VAC
POWER CONSUMPTION	35 W

## MECHANICAL

DIMENSION (WxHxD)	335x270x81 mm (13.2x10.6x3.2 in)
WEIGHT	3.5 Kg
FRONT PANEL	Anodized aluminum
CHASSIS	SECC steel (galvanized)
MOUNTING TYPE	Panel mounting with retaining clips

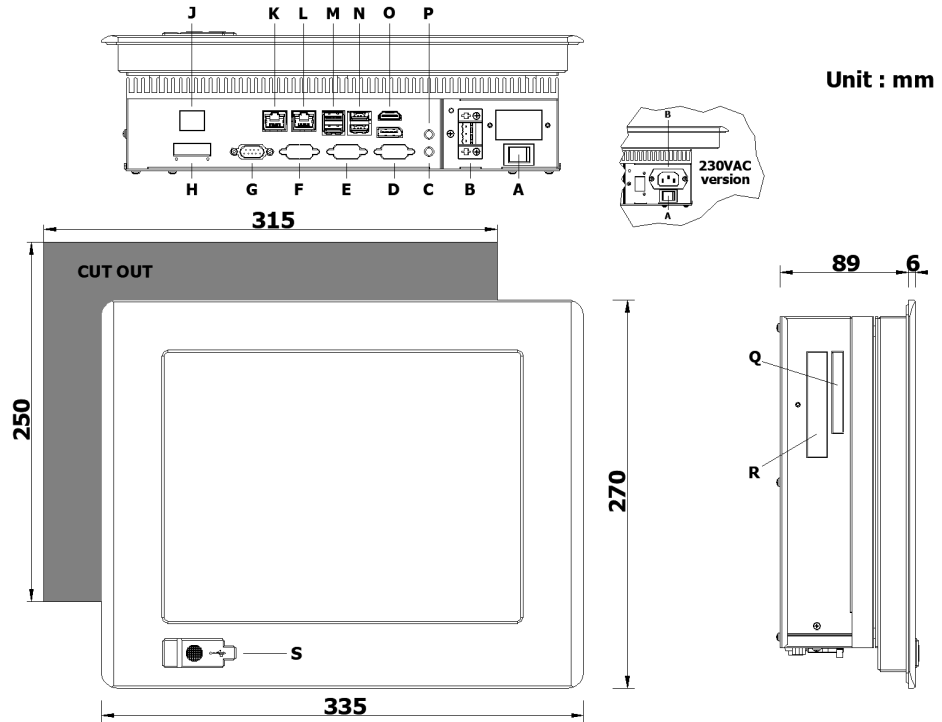
## ENVIRONMENT

OPERATING TEMPERATURE	0 ~ 50 °C (32 ~ 122 °F)
STORAGE TEMPERATURE	-20 ~ 60 °C (-4 ~ 140 °F)
OPERATING HUMIDITY	10 ~ 95 % @ 40°C (non-condensing)
FRONT PANEL PROTECTION	IP66
EMC	CE
SAFETY	CE

## Fanless 12.1" Industrial Panel PC with Intel® N97

### Dimensions - I/O View :

- A - Power switch
- B - Supply connector
- C - Wi-fi antenna (optional)
- D - RS-232 (COM 4 - optional)
- E - RS-232 (COM 3 - optional)
- F - RS-232 (COM 2 - optional)
- G - RS-232/422/485 (COM 1)
- H - Remote power On/Off
- J - Gigabit LAN 3 (optional)
- K - Gigabit LAN 2
- L - Gigabit LAN 1
- M - 2x USB 3.2
- N - 1x USB 3.2, 1x USB 2.0
- O - 1x HDMI, 1x DisplayPort
- P - Wi-fi antenna (optional)
- Q - Removable CFast (optional)
- R - Removable SSD (optional)
- S - 1x USB 2.0



Unit : mm

AVAILABLE OPTIONS		CONFIGURATION NUMBER						
		1	2	3	4	5	6	7
WIFI Lan	Wi-Fi Lan <sup>1</sup>	●						
LAN	1x RJ45 Gigabit Lan MiniPCI-Express card		●					
Notes								
11 mt Wi-Fi antenna cable extension available on request								

# PSR112-FD

Fanless 12.1" Industrial Panel PC with Intel® N97

## FRONTAL PANEL OPTIONAL

Frontal panel graphic customization area for logo<sup>1</sup>



<sup>1</sup>To go on with the frontal panel customization, we need the vectorial logo and the logo spot on the panel. Later we will send you a preview to be confirmed.

Unit : mm

