

Fanless 12.1" Industrial Panel PC with Intel® N97



FEATURES

- Intel® N97
- 12.1" 800x600 / 1024x768 LCD display
- Projected capacitive multi-touch control
- Flat frontal panel, IP66-compliant
- Dual Gigabit Ethernet
- Triple display support
- Wide DC power range 9-36 VDC
- Wide AC power range 85-264 VAC



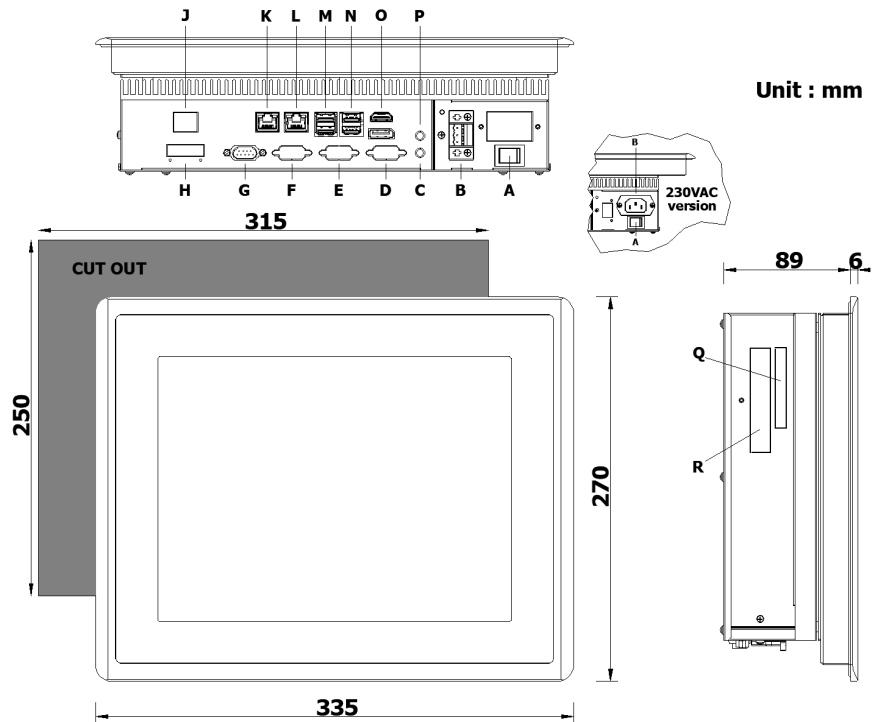
| SYSTEM | |
|-------------------|---|
| CPU | Intel® N97, QC, 3.6 GHz |
| CHIPSET | Intel® Alder Lake |
| GRAPHICS | Intel® UHD Graphics |
| MEMORY TYPE | 1x DDR5 SO-DIMM 4800 MHz max 32 GB |
| AUDIO | High Definition Audio |
| ETHERNET | 2x Intel® I210AT 10/100/1000 Mbps |
| DISPLAY | |
| TFT TYPE | 12.1" TFT LCD |
| MAX RESOLUTION | 800x600 or 1024x768 |
| LUMINANCE | 450 cd/m ² or 500 cd/m ² |
| CONTRAST RATIO | 700 : 1 |
| VIEW ANGLE | 80° / 80° / 65° / 75° or 80° / 80° / 80° / 80° (L/R/U/D) |
| MAX COLORS | 16.7 Millions |
| TOUCH TYPE | Projected capacitive multi-touch control |
| STORAGE | |
| DEVICE | 1x 2.5" SSD / HDD |
| EXTERNAL I/O | |
| SERIAL PORTS | 1x COM (RS-232/422/485) 3x COM (RS-232) optional |
| USB PORTS | 3x USB 3.2, 1x USB 2.0 |
| AUDIO | N/A |
| VIDEO OUTPUT | 1x HDMI (4096x2160), 1x DisplayPort (4096x2160) |
| LAN | 2x RJ45 Ethernet ports |
| PS2 | N/A |
| SUPPLY CONNECTION | 24 VDC terminal block 110-230 VAC standard VDE connector |

| OS SUPPORT | |
|------------------------|--|
| MICROSOFT® | Windows 10 Enterprise LTSC 2019 (64 bit) |
| MICROSOFT® | Windows 10 Enterprise LTSC 2021 (64 bit) |
| MICROSOFT® | Windows 10 PRO (64 bit) |
| MICROSOFT® | Windows 11 Enterprise LTSC 2024 (64 bit) |
| MICROSOFT® | Windows 11 PRO (64 bit) |
| LINUX | Ubuntu 24.04.1 LTS or newer and further distros |
| POWER SYSTEM | |
| RATED INPUT VOLTAGE | 24 VDC 110-230 VAC |
| INPUT VOLTAGE LIMIT | 9-36 VDC 85-264 VAC |
| POWER CONSUMPTION | 35 W |
| MECHANICAL | |
| DIMENSION (WxHxD) | 335x270x95 mm (13.2x10.6x3.7 in) |
| WEIGHT | 4.5 Kg |
| FRONT PANEL | Aluminum frontal frame with 3 mm temperate glass |
| CHASSIS | SECC steel (galvanized) |
| MOUNTING TYPE | Panel mounting with retaining clips |
| ENVIRONMENT | |
| OPERATING TEMPERATURE | 0 ~ 50 °C (32 ~ 122 °F) |
| STORAGE TEMPERATURE | -20 ~ 60 °C (-4 ~ 140 °F) |
| OPERATING HUMIDITY | 10 ~ 95 % @ 40°C (non-condensing) |
| FRONT PANEL PROTECTION | IP66 |
| EMC | CE |
| SAFETY | CE |

Fanless 12.1" Industrial Panel PC with Intel® N97

Dimensions - I/O View :

- A - Power switch
- B - Supply connector
- C - Wi-fi antenna (optional)
- D - RS-232 (COM 4 - optional)
- E - RS-232 (COM 3 - optional)
- F - RS-232 (COM 2 - optional)
- G - RS-232/422/485 (COM 1)
- H - Remote power On/Off
- J - Gigabit LAN 3 (optional)
- K - Gigabit LAN 2
- L - Gigabit LAN 1
- M - 2x USB 3.2
- N - 1x USB 3.2, 1x USB 2.0
- O - 1x HDMI, 1x DisplayPort
- P - Wi-fi antenna (optional)
- Q - Removable CFast (optional)
- R - Removable SSD (optional)



Unit : mm

| AVAILABLE OPTIONS | | CONFIGURATION NUMBER | | | | | | |
|--|--|----------------------|---|---|---|---|---|---|
| | | 1 | 2 | 3 | 4 | 5 | 6 | 7 |
| WIFI Lan | Wi-Fi Lan ¹ | ● | | | | | | |
| LAN | 1x RJ45 Gigabit Lan MiniPCI-Express card | | ● | | | | | |
| Notes | | | | | | | | |
| ¹ 1 mt Wi-Fi antenna cable extension available on request | | | | | | | | |

FRONTAL PANEL OPTIONAL

Frontal panel graphic customization area for logo¹



¹To go on with the frontal panel customization, we need the vectorial logo and the logo spot on the panel.
Later we will send you a preview to be confirmed.

Unit : mm

