

PAB323-FV



Fanless Industrial Box PC with Intel® Core™ i5-1135G7



FEATURES

- Intel® Core™ i5-1135G7
- Dual Gigabit Ethernet
- Dual display support
- Two kinds of mounting : DIN rail, WALL
- Wide DC power range 9-48 VDC



SYSTEM

| | |
|-------------|---|
| CPU | Intel® Core™ i5-1135G7 |
| CHIPSET | Intel® Tiger Lake |
| GRAPHICS | Intel® Iris® X ^e Graphics |
| MEMORY TYPE | 2x DDR4 SO-DIMM 3200 MHz up to 64 GB |
| AUDIO | Realtek® Audio Codec |
| ETHERNET | 2x 10/100/1000 Mbps Intel® I219V and I211AT |

STORAGE

| | |
|--------|---|
| DEVICE | 1x M.2 SATA (2280) 1x 2.5" SSD / HDD (optional) RAID 0/1 option available |
|--------|---|

EXTERNAL I/O

| | |
|-------------------|-------------------------|
| SERIAL PORTS | 2x COM (RS-232/422/485) |
| USB PORTS | 4x USB 3.2, 2x USB 2.0 |
| AUDIO | N/A |
| VIDEO OUTPUT | 2x HDMI (4096x2304) |
| LAN | 2x RJ45 Ethernet ports |
| PS2 | N/A |
| SUPPLY CONNECTION | 24 VDC terminal block |

EXPANSION SLOT

| | |
|-----------|--|
| MINI-PCIE | 1x full size with PCIe x1 |
| M.2 | 1x KeyM (2280) with SATA 1x KeyE (2230) |

OS SUPPORT

| | |
|------------|---|
| MICROSOFT® | Windows 10 Enterprise LTSC 2019 (64 bit) |
| MICROSOFT® | Windows 10 Enterprise LTSC 2021 (64 bit) |
| MICROSOFT® | Windows 10 PRO (64 bit) |
| MICROSOFT® | Windows 11 Enterprise LTSC 2024 (64 bit) |
| MICROSOFT® | Windows 11 PRO (64 bit) |
| LINUX | Ubuntu 20.04.1 LTS or newer and further distros |

POWER SYSTEM

| | |
|---------------------|----------|
| RATED INPUT VOLTAGE | 24 VDC |
| INPUT VOLTAGE LIMIT | 9-48 VDC |
| POWER CONSUMPTION | 65 W |

MECHANICAL

| | |
|-------------------|--------------------------------------|
| DIMENSION (WxHxD) | 90x210x175 mm (3.5x8.3x6.9 in) |
| WEIGHT | 2.0 Kg |
| CHASSIS | SECC steel (galvanized) |
| MOUNTING TYPE | DIN RAIL mounting *, WALL mounting * |

ENVIRONMENT

| | |
|-----------------------|-----------------------------------|
| OPERATING TEMPERATURE | 0 ~ 50 °C (32 ~ 122 °F) |
| STORAGE TEMPERATURE | -20 ~ 60 °C (-4 ~ 140 °F) |
| OPERATING HUMIDITY | 10 ~ 95 % @ 40°C (non-condensing) |
| EMC | CE |
| SAFETY | CE |

* Included in the package

PAB323-FV

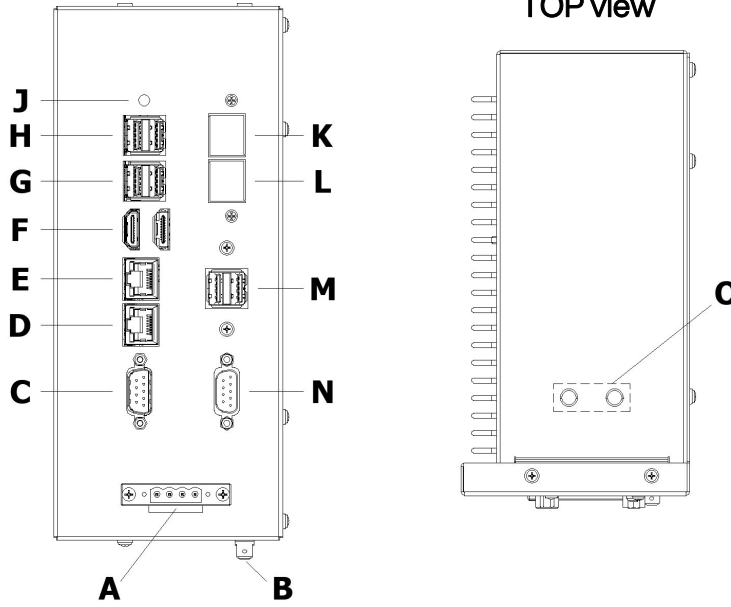
Fanless Industrial Box PC with Intel® Core™ i5-1135G7

FRONT view

TOP view

PAB323 I/O View :

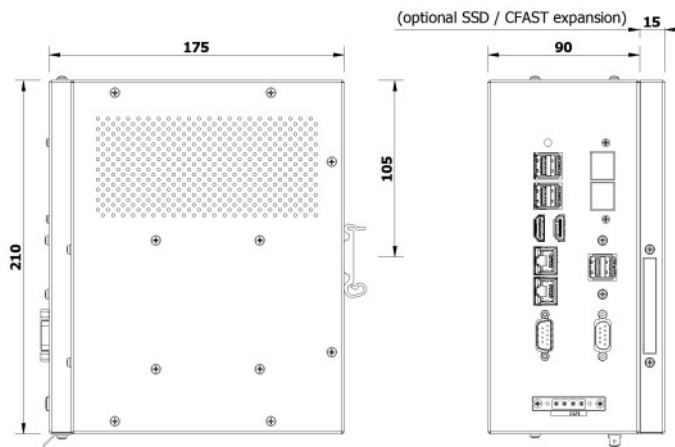
- A - Power connector (24VDC)
- B - Ground connector
- C - RS-232/422/485 (COM 1)
- D - Gigabit LAN 1
- E - Gigabit LAN 2
- F - 2x HDMI
- G - 2x USB 3.2
- H - 2x USB 3.2
- J - Power led
- K - Gigabit LAN 4 (optional)
- L - Gigabit LAN 3 (optional)
- M - 2x USB 2.0
- N - RS-232/422/485 (COM 2)
- O - Wi-fi antenna (optional)



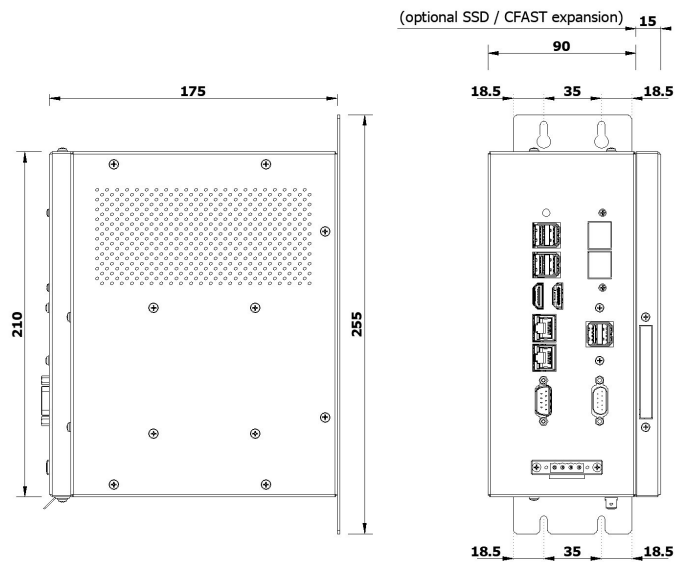
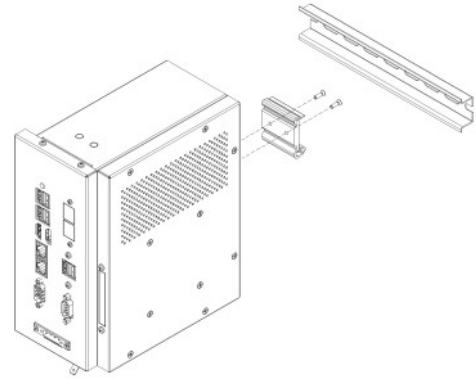
| AVAILABLE OPTIONS | | CONFIGURATION NUMBER | | | | | | |
|--|---|----------------------|---|---|---|---|---|---|
| | | 1 | 2 | 3 | 4 | 5 | 6 | 7 |
| WiFi Lan | Wi-Fi Lan ¹ | ● | | | ● | ● | | |
| LAN | 2x RJ45 Gigabit Lan MiniPCI-Express card | | ● | | ● | | | |
| Serial Ports | 1x optoisolated serial ports RS-422/485 MiniPCI-Express card ² | | | ● | | ● | | |
| Notes | | | | | | | | |
| ¹ 1 mt Wi-Fi antenna cable extension available on request | | | | | | | | |
| ² Serial port will be set on the "N" position instead of RS232 COM2 | | | | | | | | |

PAB323-FV

Fanless Industrial Box PC with Intel® Core™ i5-1135G7



DIN RAIL mounting
(included in the package)



WALL mounting
(included in the package)

