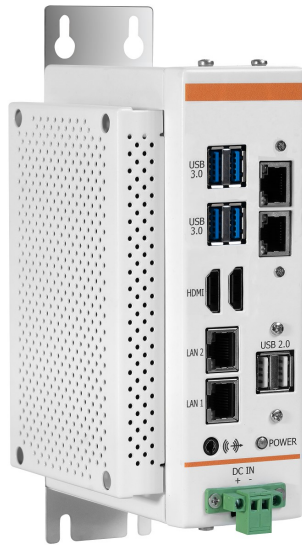


# PAB224-FU



## Fanless Industrial Box PC with Intel® Celeron® J6412



### FEATURES

- Intel® Celeron® J6412
- Four Gigabit Ethernet
- Dual display support
- Three kinds of mounting : DIN rail, WALL, FLAT
- Wide DC power range 9-36 VDC



### SYSTEM

CPU	Intel® Celeron® J6412, QC, 2.0 GHz
CHIPSET	Intel® Elkhart Lake
GRAPHICS	Intel® UHD Graphics 10th Gen.
MEMORY TYPE	2x DDR4 SO-DIMM 3200 MHz up to 32 GB
AUDIO	Realtek® Audio Codec
ETHERNET	2x 10/100/1000 Mbps Intel® I211AT 2x 10/100/1000 Mbps Intel® I210

### STORAGE

DEVICE	1x M.2 SATA (2280) 1x 2.5" SSD / HDD (optional)
--------	--

### EXTERNAL I/O

SERIAL PORTS	N/A
USB PORTS	4x USB 3.2, 2x USB 2.0
AUDIO	1x Line-out
VIDEO OUTPUT	2x HDMI (4096x2160)
LAN	4x RJ45 Ethernet ports
PS2	N/A
SUPPLY CONNECTION	24 VDC terminal block

### EXPANSION SLOT

MINI-PCIE	N/A
M.2	1x KeyM (2280) with SATA

### OS SUPPORT

MICROSOFT®	Windows 10 Enterprise LTSC 2019 (64 bit)
MICROSOFT®	Windows 10 Enterprise LTSC 2021 (64 bit)
MICROSOFT®	Windows 10 PRO (64 bit)
MICROSOFT®	Windows 11 Enterprise LTSC 2024 (64 bit)
MICROSOFT®	Windows 11 PRO (64 bit)
LINUX	Ubuntu 20.04.1 LTS or newer and further distros

### POWER SYSTEM

RATED INPUT VOLTAGE	24 VDC
INPUT VOLTAGE LIMIT	9-36 VDC
POWER CONSUMPTION	15 W

### MECHANICAL

DIMENSION (WxHxD)	70x165x110 mm (2.6x6.5x4.3 in)
WEIGHT	1.0 Kg
CHASSIS	SECC steel (galvanized)
MOUNTING TYPE	DIN RAIL mounting *, WALL mounting * FLAT mounting (optional)

### ENVIRONMENT

OPERATING TEMPERATURE	0 ~ 50 °C (32 ~ 122 °F)
STORAGE TEMPERATURE	-20 ~ 60 °C (-4 ~ 140 °F)
OPERATING HUMIDITY	10 ~ 95 % @ 40°C (non-condensing)
EMC	CE
SAFETY	CE

\* Included in the package

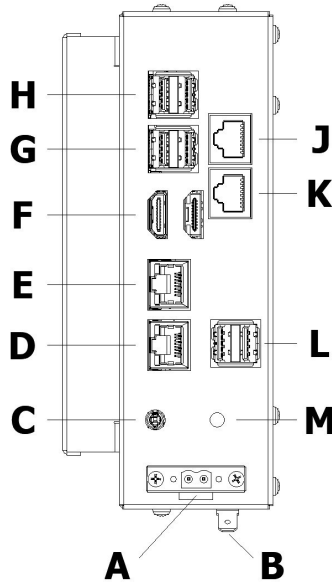
# PAB224-FU

Fanless Industrial Box PC with Intel® Celeron® J6412

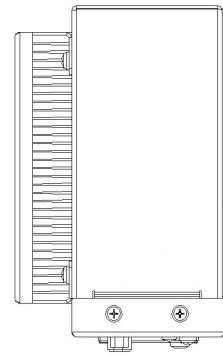
FRONT view

**PAB124 I/O View:**

- A - Power connector (24VDC)
- B - Ground connector
- C - Audio output
- D - Gigabit LAN 1
- E - Gigabit LAN 2
- F - 2x HDMI
- G - 2x USB 3.2
- H - 2x USB 3.2
- J - Gigabit LAN 4
- K - Gigabit LAN 3
- L - 2x USB 2.0
- M - Power led



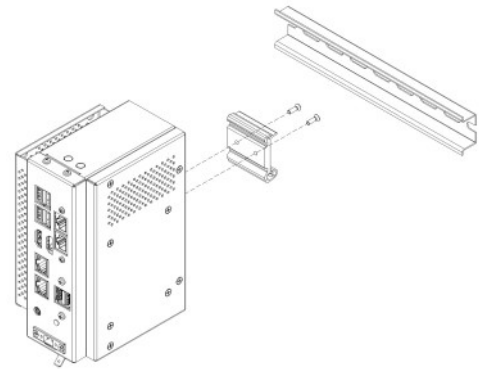
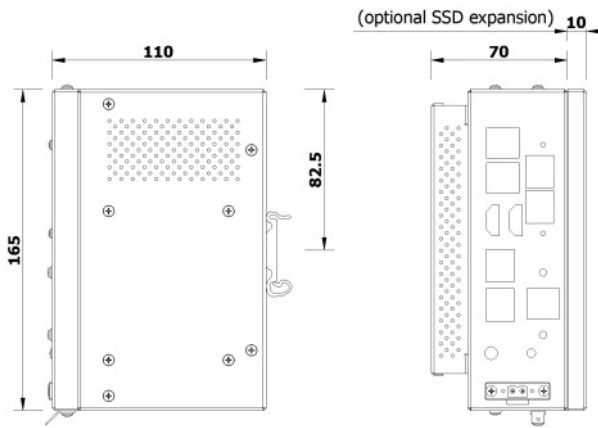
TOP view



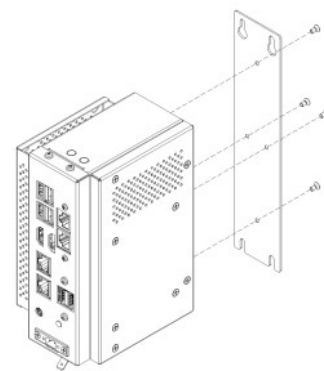
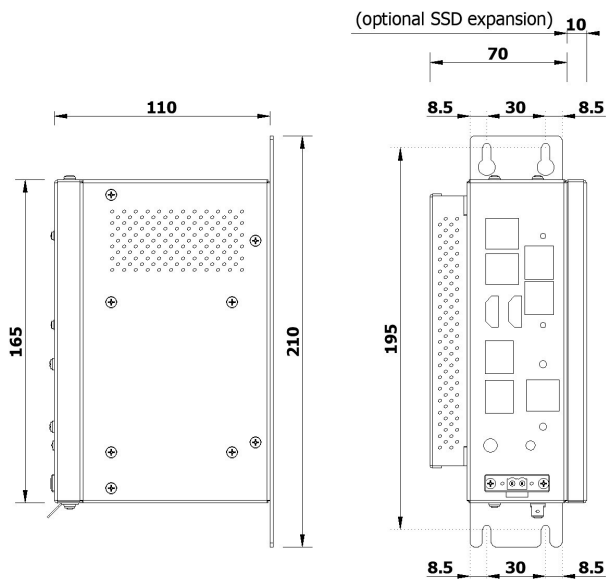
# PAB224-FU

Fanless Industrial Box PC with Intel® Celeron® J6412

## DIN RAIL mounting (included in the package)



## WALL mounting (included in the package)



## FLAT mounting (optional NOT included)

